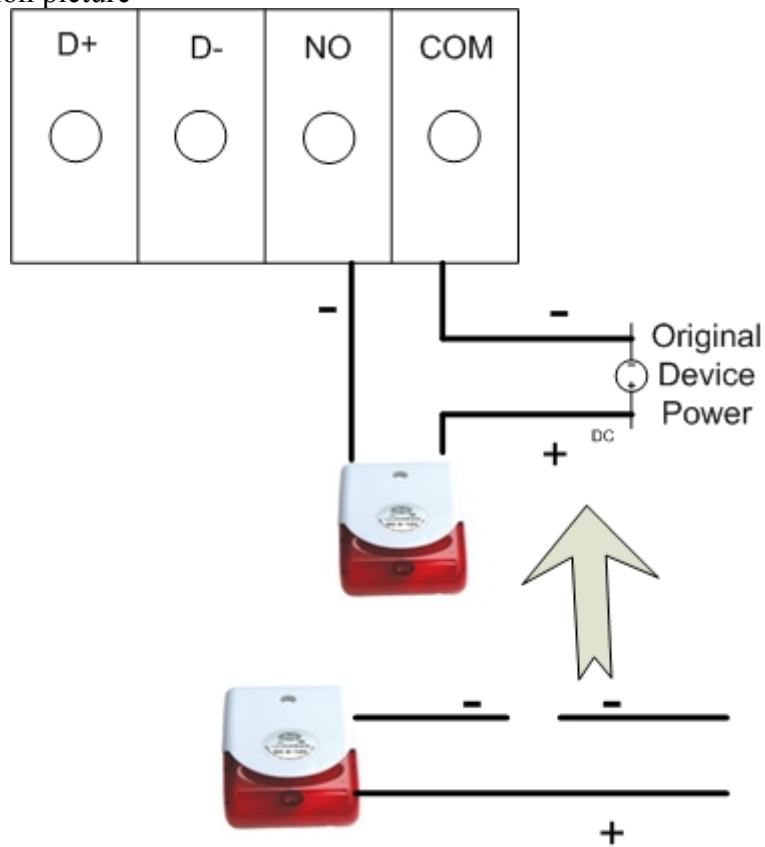


# How can I configure Alarm Output with Motion Detection

1. DO connection picture



2. DO need a siren/buzzer. For example we are use a siren that use DC12V.



Siren Input by DC 12V

3. Alarm output Setting like below picture

The image shows a web interface for configuring alarm settings. On the left is a sidebar menu with 'HOME' at the top, followed by 'SETTING'. Under 'SETTING', there are sub-menus: 'BASIC', 'Advance' (expanded), 'FTP client', 'SMTP', 'HTTP event', 'Alarm output' (expanded), 'Setting' (highlighted), 'Schedule', 'Alarm input', 'Alarm buffer', 'Motion detection', and 'System Log'. The main content area shows the following settings:

- Alarm output  On  Off
- Digital output  High  Low
- Trigger condition  Alarm  Timer
- Alarm
  - Motion detection
  - Alarm input
- Alarm duration  sec. (1 to 60 sec.)
- Effective Period  Always  Schedule

At the bottom of the settings are 'OK' and 'Cancel' buttons.

Below the settings is a camera view of an office hallway. A red rectangular box highlights a doorway. To the right of the camera view is a control panel with three 'Motion Detect' sections, each with a 'Threshold' slider and a 'Sensitivity' slider. The top section is checked, while the middle and bottom sections are unchecked. A '0' is visible at the bottom right of the control panel.

4. When Motion Detection will start the siren .