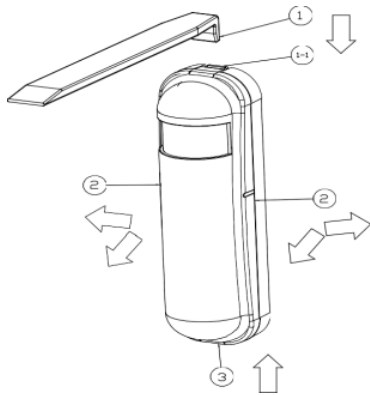


Q: How to replace the battery in the SI-101 (3-1 Sensor)

A: When the device reports the low battery message. The battery should be replaced for a new one. The battery type is CR123A, 3.0V. Please follow the below steps on how to open the sensor.

1. Using a tool to press the 1-1 position, to release the cover.
2. Hold the front cover and pull back
3. Hold the front cover and pull up



Replace the new battery and install the cover back.

1. Put the front cover bottom to 1-1, and press down.
2. Push the front cover top to 2-1.

