


## Declaration of Conformity

We, Manufacturer/Importer

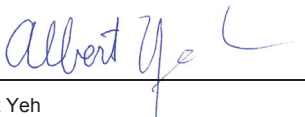
**OvisLink Corp.**  
5F., NO.6, Lane 130, Min-Chuan Rd.,  
Hsin-Tien Dist., New Taipei City 231, Taiwan

Declare that the product  
**Network Video Recorder**  
**CoreNVR 9 / 16**  
is in conformity with

In accordance with 2004/108/EC Directive and 1999/5 EC-R & TTE Directive

Clause	Description
■ EN 55022: 2010 (Class B)	Limits and methods of measurement of radio disturbance characteristics of information technology equipment
■ EN 55024:2010	Information Technology equipment-Immunity characteristics-Limits And Methods of measurement
■ EN 60950-1:2006+ A11:2009+A1:2010+ A12:2011	Safety for information technology equipment including electrical Business equipment
■ CE marking	

### Manufacturer/Importer

Signature : 

Name : Albert Yeh

Position/ Title : Vice President Place : Taiwan Date : 2013/06/25



## Regulatory Approvals

### • FCC Statement

This equipment has been tested and found to comply with the limits for a Class B digital device pursuant to Part 15 of the FCC Rules. These limits are designed to provide reasonable protection against harmful interferences when the equipment is operating in a commercial area. This equipment generates, uses and may radiate radio frequency energy, and if not installed in accordance with the user guide, may cause interference in the transmission of radio communications. If operating in a residential area, it is probable this equipment will cause harmful interference, in which case the user will be required to try to correct this interference using his own means.

### • CE Statement

This product complies with the 99/5/EEC directives, including the following safety and EMC standards:

- EN 55022: 2010 (Class B)  
Limits and methods of measurement of radio disturbance characteristics of information technology equipment
- EN 55024:2010  
Information Technology equipment-Immunity characteristics-Limits And Methods of measurement
- EN 60950-1:2006+ A11:2009+A1:2010+ A12:2011  
Safety for information technology equipment including electrical Business equipment



### • CE Marking Warning

This is a Class B product. In a domestic environment this product may cause radio interference in which case the user may be required to take adequate measures.

### • Directive 1999 / 5 / EC

- EN**  
OvisLink Corporation declares that this device is in compliance with the essential requirements and other relevant provisions of directive 1999/5/EC.
- DE**  
OvisLink Corporation erklärt hiermit, dass dieses Gerät den grundlegenden Vorschriften und anderen relevanten Bestimmungen der EG-Richtlinie 1999/5/EC entspricht.
- FR**  
OvisLink Corporation déclare, par le biais de ce document, que ce dispositif est conforme aux conditions essentielles de la directive 99/05/CE et, par conséquent, assume la responsabilité de la véracité des informations suivantes.
- HR**  
OvisLink Corp. izjavljuje da je ovaj uređaj u skladu sa neophodnim preporukama i ostalim važnim odredbama Direktive 1999/5/EC.
- ID**  
OvisLink Corporation menyatakan bahwa perangkat ini telah sesuai dengan persyaratan utama dan ketentuan terkait lainnya direktif 1999/5/EC.
- JP**  
この装置が指導的な1999/5/ECの必要な条件そして他の関連した準備に従ってであるとOvisLink Corporationは宣言する。
- PT**  
A OvisLink Corporation declara que este dispositivo está em conformidade com os requisitos essenciais e outras solicitações relevantes da Directiva 1999/5/EC.
- RU**  
Компания OvisLink Corporation заявляет, что это устройство отвечает основным требованиям и прочим родственным условиям, изложенным в директиве 1999/5/EC.
- CZ**  
OvisLink Corporation deklaruje, že toto zařízení vyhovuje základním požadavkům a dalším závazným ustanovením z nařízení 1999/5/EC.
- ES**  
OvisLink Corporation declara que el dispositivo cumple con los requerimientos básicos y otras facilidades relevantes de la directriz 1999/5/EC.
- GR**  
Η εταιρία OvisLink δηλώνει ότι η συσκευή αυτή είναι σύμφωνα με τις ουσιαστικές απαιτήσεις και τις υποχρεώσεις σχετικές διατάξεις της οδηγίας 1999/5/EC.
- HU**  
Az OvisLink Corporation kijelenti, hogy ez a berendezés megfelel az 1999/05/CE irányelv alapvető követelményeinek és egyéb vonatkozó rendelkezésének.
- IT**  
Ovislink Corporation dichiara che questa periferica è realizzata in conformità alle prescrizioni e alle altre rilevanti misure della direttiva 1999/5/EC.
- PL**  
OvisLink deklaruje zgodność swoich urządzeń z istotnymi wymaganiami oraz innymi istotnymi przepisami dyrektywy 1999/5/EC.
- RO**  
OvisLink Corporation declara ca acest dispozitiv este în conformitate cu cerințele esențiale și alte prevederi relevante ale Directivei 1999/5/EC.
- SK**  
OvisLink Corporation potvrdzuje, že toto zariadenie vyhovuje požiadavkám a ďalším predpisom smernice 1999/5/EC.

This equipment may be used in AT, BE, CY, CZ, DK, EE, FI, FR, DE, GR, HR, HU, ID, IE, IT, LV, LT, LU, MT, NL, PL, PT, SK, SI, ES, SE, GB, IS, LI, NO, CH, BG, RO, TR

 OvisLink Corporation declares that this device is in compliance with the essential requirements and other relevant provisions of directive 1999/5/EC.  Tested To Comply With FCC Standards. FOR HOME OR OFFICE USE



## EN English

### Important Information

- The default IP address: **192.168.1.100**
- The default Subnet Mask is **255.255.255.0**
- The default login name is **admin**
- The default password is **airlive**

The content of user's guide and associated software can be upgraded on the website, [www.airlive.com](http://www.airlive.com)

## DE Deutsch

### Wichtige Informationen

- Die voreingestellte IP Adresse : **192.168.1.100**
- Das Standard-Subnet Mask ist **255.255.255.0**
- Der Standard Login ist "**admin**"
- Das Standard Passwort ist "**airlive**"

Der Inhalt der Benutzeranleitung und die Software können über unserer Webseite aktualisiert werden: <http://www.airlive.com>

## HR Hrvatska

### Važne informacije:

- Početna IP adresa: **192.168.1.100**
- Zadani Subnet Mask je **255.255.255.0**
- Početno korisničko ime je **admin**
- Početna lozinka je **airlive**

Sadržaj priručnika i pripadajućeg softvera može se preuzeti sa web stranice, [www.airlive.com](http://www.airlive.com)

## ID Bahasa

### Informasi Penting

- IP address adalah **192.168.1.100**
- Subnet Mask adalah **255.255.255.0**
- User name adalah **admin**
- Password adalah **airlive**

Isi dari buku panduan dan software yang terintegrasi dapat di unduh melalui web, [www.airlive.com](http://www.airlive.com)

## PT Português

### Informação importante

- O endereço IP por defeito: **192.168.1.100**
- Por defeito a subnet mask é **255.255.255.0**
- O nome do login por defeito é "**admin**"
- A palavra-chave por defeito é "**airlive**"

O conteúdo do guia de utilizador e o software associado podem ser actualizados no website, [www.airlive.com](http://www.airlive.com)

## SK Slovensky

### Dôležité informácie

- Predvolená IP adresa: **192.168.1.100**
- Štandardná maska podsiete je **255.255.255.0**
- Štandardné prihlasovacie meno je '**admin**'
- Štandardné heslo je '**airlive**'

Obsah používateľskej príručky a pridruženého softvéru môže byť aktualizovaný na webstránke [www.airlive.com](http://www.airlive.com)

## CZ Česky

### Důležité informace

- Základní IP adresa: **192.168.1.100**
- Základní maska sítě **255.255.255.0**
- Základní přihlašovací jméno je '**admin**'
- Základní heslo je '**airlive**'

Aktuální návody a obsah najdete na [www.airlive.com](http://www.airlive.com)

## ES Español

### Información Importante

- La dirección IP por defecto del : **192.168.1.100**
- La máscara de red por defecto es **255.255.255.0**
- El nombre de acceso por defecto '**admin**'
- La clave de acceso por defecto es '**airlive**'

El contenido de la guía de usuario y los softwares pueden ser actualizados en la website, [www.airlive.com](http://www.airlive.com)

## HU Magyar

### Fontos információk

- A alapértelmezett IP-címe: **192.168.1.100**
- Alapértelmezett alhálózati maszk: **255.255.255.0**
- Alapértelmezett felhasználói név: **admin**
- Alapértelmezett jelszó: **airlive**

A felhasználói kézikönyv és a benne szereplő szoftver legfrissebb változata a [www.airlive.com](http://www.airlive.com) weboldalon megtalálható, letölthető

## PL Polski

### Ważne informacje

- Fabryczny adres IP: **192.168.1.100**
- Standardowa maska podsieci to **255.255.255.0**
- Standardowa nazwa użytkownika to **admin**
- Standardowe hasło to **airlive**

Najnowsze instrukcje obsługi oraz nowe wersje dołączonego oprogramowania znajdują się na stronie [www.airlive.com](http://www.airlive.com)

## RU Русский

### Важная информация

- IP адрес по умолчанию: **192.168.1.100**
- Маска подсети по умолчанию **255.255.255.0**
- Имя пользователя по умолчанию "**admin**"
- Пароль по умолчанию "**airlive**"

Вы можете обновить руководство пользователя и программное обеспечение на нашем сайте: [www.airlive.com](http://www.airlive.com)

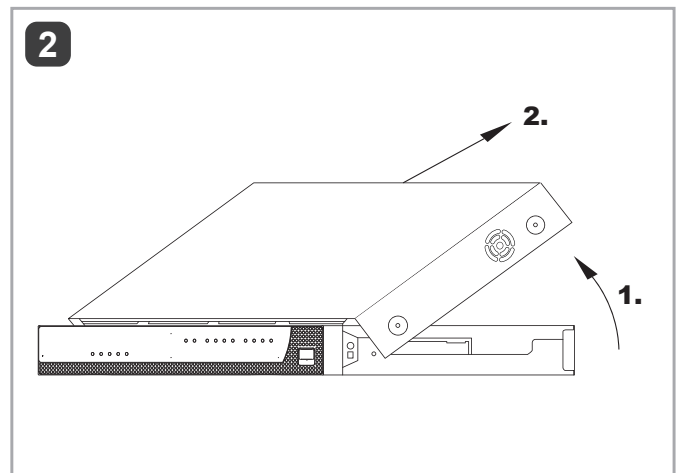
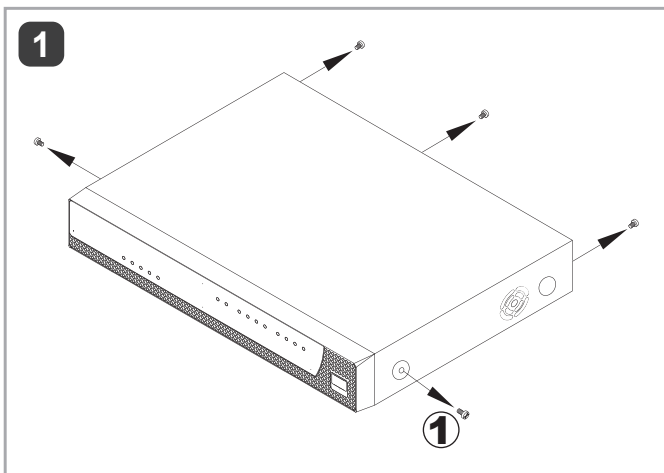
## CoreNVR 9 / 16 QIG

Network Video Recorder

Accessories Check:

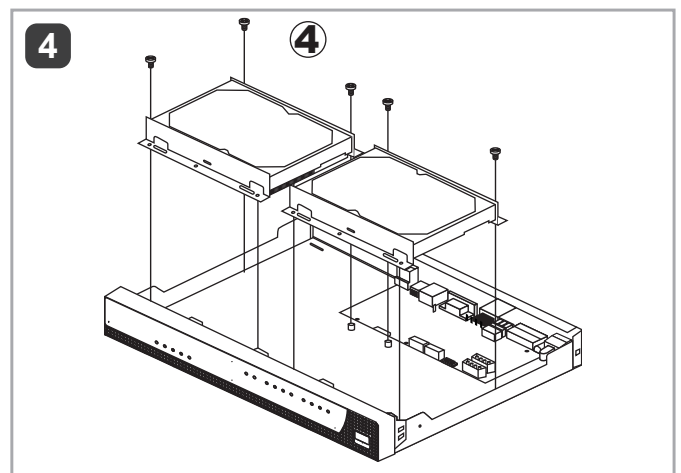
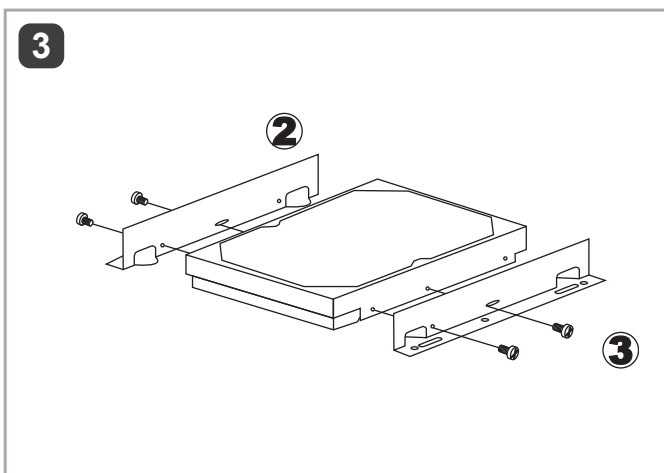
- |                              |                         |                        |
|------------------------------|-------------------------|------------------------|
| 1.Screws from the case: 5pcs | 2.HDD cradle: 2pcs      | 3.Silver screws: 8pcs  |
| 4.Black screws: 8pcs         | 5.HDD power cable: 2pcs | 6.HDD data cable: 2pcs |

### Installation Step:



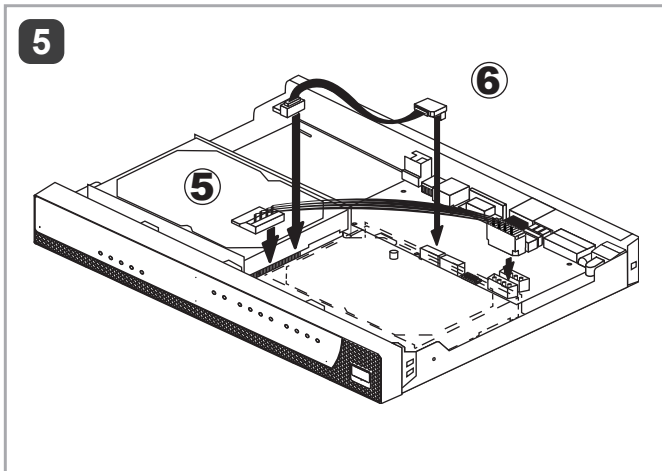
1. Before to use the CoreNVR 9 / 16.  
The SATAII Hard Drive should be installed.  
Please follow the step 2 ~ 8 to install the Hard Drive.
- 2.Remove the screws from the box.

- 3.Lift up and remove the cover.

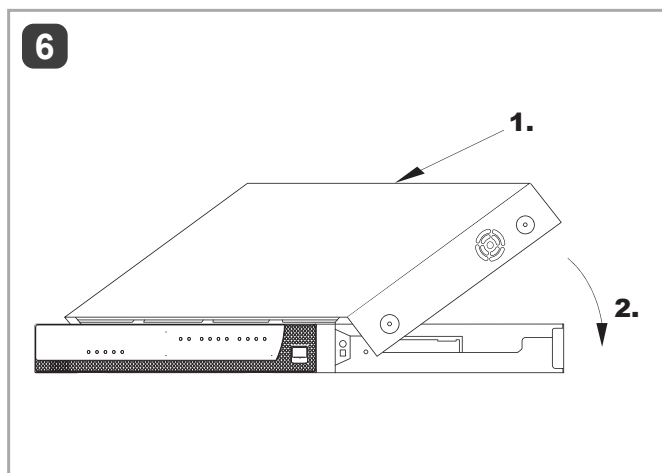


- 4.Assemble HDD cradles with silver screws.

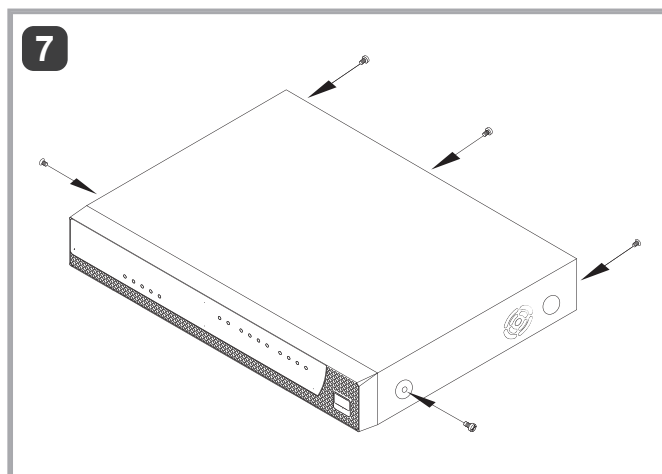
- 5.Assemble HDD into case with black screws.



6. Connect SATA power cable and data cable between HDD and main board.




7. Put on the cover back.



8. Assemble all screws back properly.

9. Connect to monitor, network, mouse and power cable to turn on the CoreNVR 9 / 16 system.

10. Login the CoreNVR 9 / 16 with default username and password.

11. Click  to enter "System Setting" page.

12. Click on "Auto Setting" in the System Setting page to insert all IP cameras automatically under the same network environment.

13. Go "Camera Parameter" to setup video/audio streaming.

14. Go "Schedule" page to setup schedule recording.

15. Click "OK" button to start the recording.