

## Declaration of Conformity

We, Manufacturer/Importer

**OvisLink Corp.**

5F, No.6, Lane 130, Min-Chuan Rd., Hsin-Tien Dist.,  
New Taipei City 231, Taiwan

Declare that the product

**PoE industrial ring manage switch**

**IGR-840POE; IGR-842POE; IGR-1284POE**

**is in conformity with**

In accordance with 2004/108/EC Directive and 1999/5 EC-R & TTE Directive

### Clause

- EN 61000-6-2:2005
- EN 61000-6-4:2007 +A1:2011
- CE marking

### Description

Electromagnetic compatibility (EMC) - Part 6-2: Generic standards - Immunity for industrial environments

Electromagnetic compatibility (EMC) - Part 6-4: Generic standards - Emission standard for industrial environments



### Manufacturer/Importer

Signature: \_\_\_\_\_



Name : Sammy Chiu Position/ Title : Product Manager  
Place : Republic of China (Taiwan) Date : 2017/03/01



## Regulatory Approvals

### • 15.105 Class A

This equipment has been tested and found to comply with the limits for a Class A digital device, pursuant to part 15 of the FCC Rules. These limits are designed to provide reasonable protection against harmful interference when the equipment is operated in a commercial environment. This equipment generates, uses, and can radiate radio frequency energy and, if not installed and used in accordance with the instruction manual, may cause harmful interference to radio communications. Operation of this equipment in a residential area is likely to cause harmful interference in which case the user will be required to correct the interference at his own expense.

### • CE Statement

This product complies with the 99/5/EEC directives, including the following safety and EMC standards:

- EN 61000-6-2:2005  
Electromagnetic compatibility (EMC) - Part 6-2: Generic standards - Immunity for industrial environments
- EN 61000-6-4:2007 +A1:2011  
Electromagnetic compatibility (EMC) - Part 6-4: Generic standards - Emission standard for industrial environments

### • CE Marking Warning

This is a Class A product. In a domestic environment this product may cause radio interference in which case the user may be required to take adequate measures.

### • Directive 1999 / 5 / EC

- EN**  
OvisLink Corporation declares that this device is in compliance with the essential requirements and other relevant provisions of directive 1999/5/EC.
- DE**  
OvisLink Corporation erklärt hiermit, dass dieses Gerät den grundlegenden Vorschriften und anderen relevanten Bestimmungen der EG-Richtlinie 1995/5/EC entspricht.
- FR**  
OvisLink Corporation déclare, par le biais de ce document, que ce dispositif est conforme aux conditions essentielles de la directive 99/05/CE et, par conséquent, assume la responsabilité de la véracité des informations suivantes.
- HR**  
OvisLink Corp. izjavljuje da je ovaj uređaj u skladu sa neophodnim preporukama i ostalim važnim odredbama Directive 1999/5/EC.
- ID**  
OvisLink Corporation menyatakan bahwa perangkat ini telah sesuai dengan persyaratan utama dan ketentuan terkait lainnya direktif 1999/5/EC.
- JP**  
この装置が指導的な1999/5/ECの必要な条件そして他の関連した準備に従ってであるとOvisLink Corporationは宣言する。
- PT**  
A OvisLink Corporation declara que este dispositivo está em conformidade com os requisitos essenciais e outras solicitações relevantes da Directiva 1999/5/EC.
- RU**  
Компания OvisLink Corporation заявляет, что это устройство отвечает основным требованиям и прочим родственным условиям, изложенным в директиве 1999/5/EC.
- CZ**  
Ovislink Corporation deklaruje, že toto zařízení vyhovuje základním požadavkům a dalším závazným ustanovením z nařízení 1999/5/EC.
- ES**  
OvisLink Corporation declara que el dispositivo cumple con los requerimientos básicos y otras facilidades relevantes de la directriz 1999/5/EC.
- GR**  
Η εταιρία OvisLink δηλώνει ότι η συσκευή αυτή είναι σύμφωνη με τις ουσιαστικές απαιτήσεις και τις υπολοίπες σχετικές διατάξεις της οδηγίας 1999/5/EC.
- HU**  
Az OvisLink Corporation kijelenti, hogy ez a berendezés megfelel az 1999/05/CE irányelv alapvető követelményeinek és egyéb vonatkozó rendelkezéseinek.
- IT**  
Ovislink Corporation dichiara che questa periferica è realizzata in conformità alle prescrizioni e alle altre rilevanti misure della direttiva 1999/5/EC.
- PL**  
OvisLink deklaruje zgodność swoich urządzeń z istotnymi wymaganiami oraz innymi istotnymi przepisami dyrektywy 1999/5/EC.
- RO**  
OvisLink Corporation declara ca acest dispozitiv este în conformitate cu cerințele esențiale și alte prevederi relevante ale Directivei 1999/5/EC.
- SK**  
OvisLink Corporation potvrdzuje, že toto zariadenie vyhovuje požiadavkám a ďalším predpisom smernice 1999/5/EC.

This equipment may be used in AT, BE, CY, CZ, DK, EE, FI, FR, DE, GR, HR, HU, ID, IE, IT, LV, LT, LU, MT, NL, PL, PT, SK, SI, ES, SE, GB, IS, LI, NO, CH, BG, RO, TR



OvisLink Corporation declares that this device is in compliance with the essential requirements and other relevant provisions of directive 1999/5/EC.



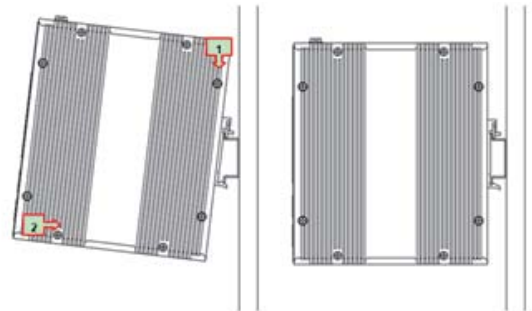
Tested To Comply With FCC Standards. FOR HOME OR OFFICE USE



## Mounting the Switch

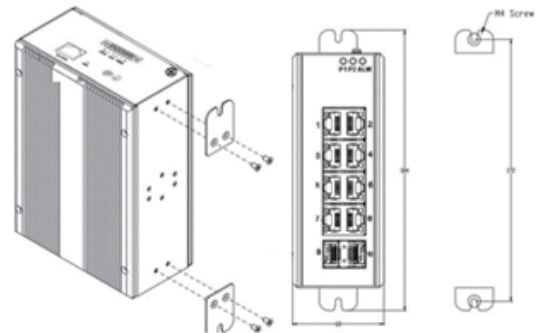
### A. Din-Rain

1. Screw the DIN-Rail bracket on with the bracket and screws in the accessory kit.
2. Hook the unit over the DIN rail.
3. Push the bottom of the unit towards the DIN Rail until it snaps into place.



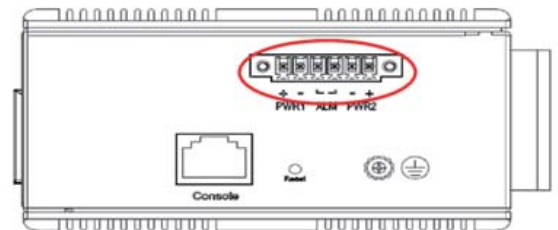
### B. Wall Mount

1. Screw on the wall-mounting plate on with the plate and screws in the accessory kit.



### C. Power Connection

1. The DC power interface is a 6-pin terminal block with polarity signs on the top panel.
2. The Switch can be powered from two power supply (input range 48V~56V). The DC power connector is a 6-pin terminal block. There is alarm contact on the middle terminal block



## EN English

### Important Information

- The default IP address: **192.168.2.1**
- The default password is **airlive**
- The content of user's guide and associated software can be downloaded from the website ([www.airlive.com](http://www.airlive.com))

### Installation Step:

1. Connect your device's PoE port to the switch's POE port
2. Your PoE device should get the power from the switch now. If you want to change settings via web management. Please follow the instructions below.
3. Set your PC's IP address to 192.168.2.50.
4. Open your web browser and enter "192.168.2.1" to get into the switch's web management.
5. Enter "admin" for username, "airlive" for password.

## ES Español

### Información importante

- Default IP: **192.168.2.1**
- Contraseña default: **airlive**
- El contenido de la Guía de Usuario y el software asociado puede descargarse desde el sitio web ([www.airlive.com](http://www.airlive.com))

### Pasos de instalación:

1. Conecte el puerto PoE de su dispositivo al puerto PoE del switch .
2. En este momento su dispositivo PoE debe recibir energía desde el switch. Si usted desea cambiar los parámetros vía web, por favor siga las siguientes instrucciones.
3. Configure la dirección IP de su PC en 192.168.2.50.
4. Abra su navegador web e ingrese "192.168.2.1" para acceder al administrador web del switch.
5. Ingrese "admin" como nombre de usuario, "airlive" como contraseña.

## DE Deutsch

### Wichtige Information

- Die voreingestellte IP Adresse: **192.168.2.1**
- Das voreingestellte Passwort lautet **airlive**
- Das Benutzerhandbuch und die benötigte Software kann auf unserer Webseite ([www.airlive.com](http://www.airlive.com))

### Installationsschritte:

1. Verbinden Sie den PoE Port ihres Gerätes mit dem PoE Port vom Switch.
2. Ihr PoE Gerät sollte jetzt den Strom vom Switch beziehen. Wenn Sie Einstellungen via Webbrowser ändern möchten, dann folgen Sie bitte den unten angegebenen Schritten:
3. Stellen Sie die IP des PC's auf 192.168.2.50.
4. Öffnen Sie ihren Browser und geben "192.168.2.1" ein. Die gelangen zur Web-Management Oberfläche.
5. Geben Sie "admin" als Benutzernamen und "airlive" als Passwort ein.

## PT Português

### Informação importante

- O endereço IP padrão: **192.168.2.1**
- A palavra-chave padrão é **airlive**
- O conteúdo do guia do utilizador e software associado podem ser carregados através do website ([www.airlive.com](http://www.airlive.com))

### Pasos de Instalação:

1. Conecte a porta do seu dispositivo PoE à porta POE do switch
2. Seu dispositivo PoE deve obter agora a energia através do switch. Se desejar alterar as configurações através do gestor web. Siga por favor as instruções em baixo.
3. Defina o endereço IP do seu PC para 192.168.2.50.
4. Abra o seu explorador web e digite "192.168.2.1" para entrar no gestor web do switch.
5. Digite "admin" para o username, "airlive" para a password.