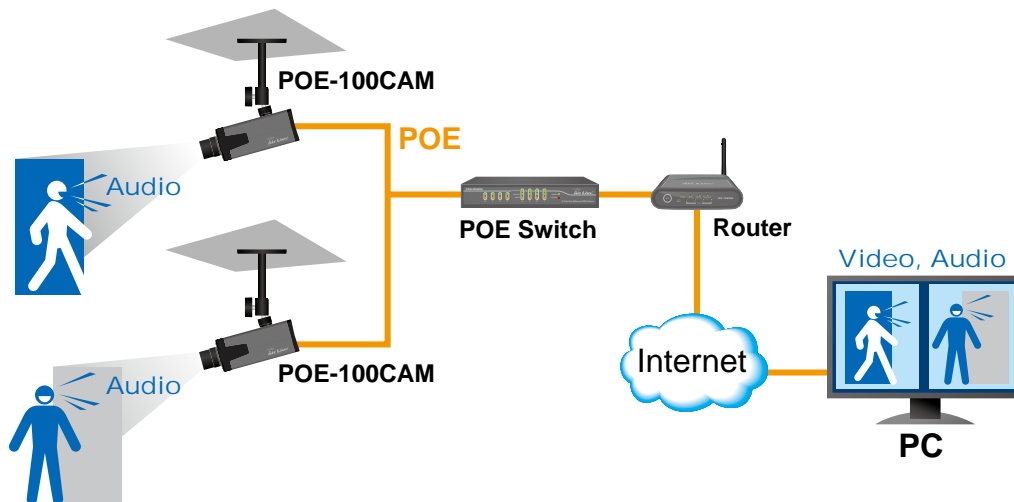


POE-100CAM

1/3 Sharp CCD Dual Stream IP Camera

The AirLive POE-100CAM is a high-performance camera designed for professional indoor surveillance and security applications. The VGA Progressive CCD Sensor in the POE-100CAM delivers exceptional picture quality. This new model complements an architecture and software that is based on variations for professional indoor surveillance and security applications. The possibility to view video from AirLive IP Cameras over the Internet is only one of the benefits. AirLive POE-100CAM is designed to offer high-performance and is equipped with PoE port, ensuring to power IP camera and provide network activity via one RJ45 network cable. This provides an easier installation and lower cable costs and allows placement of AirLive POE cameras in locations with power limitation.

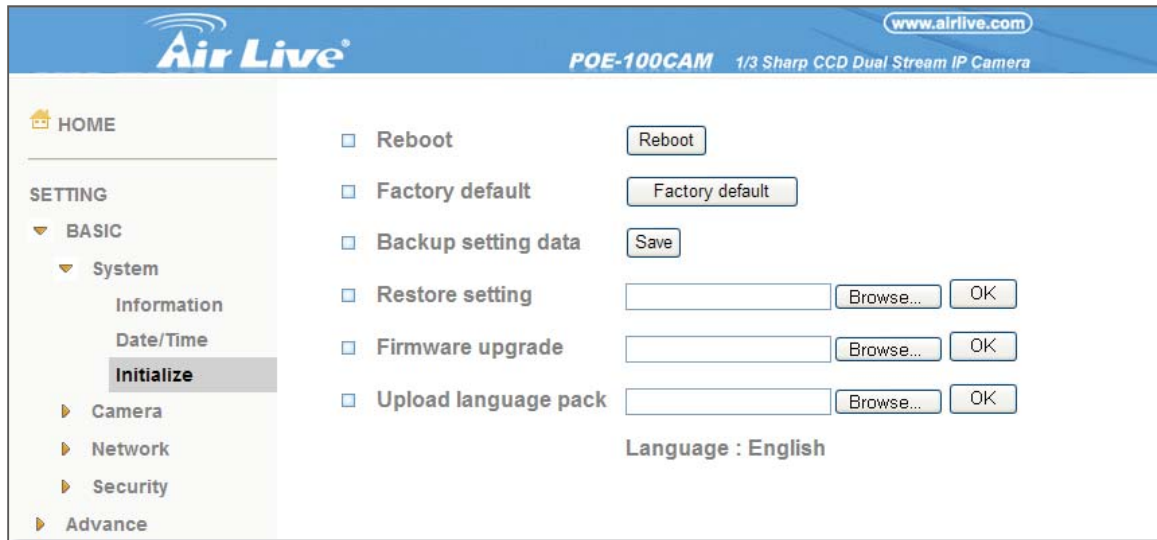


Video Quality

The AirLive POE-100CAM supports simultaneous dual-streaming of MPEG-4 and Motion JPEG (MJPEG) to provide both high quality and bandwidth efficient compression formats. MJPEG delivers greater file integrity to make it ideal for detailed monitoring situations. MPEG-4 video has smaller file sizes making it more useful for extended recording periods or for use in low bandwidth networks. This model also provides two way audio function.

Language Pack Feature

This camera also comes with upgradeable device language pack offering fourteen different languages for user-friendly operation. The language pack supports 14 languages now and still updating. These languages include Chinese, German, Spanish, Russian, Czech, Portuguese, and more.



View from Mobile Phone

The RSTP protocol feature allows 3G and 2.5G mobile phones to display captured images from the camera for live video surveillance from a remote location. With automatic light adjustment that eliminates bit rate problems caused by poor night time performance, POE-100CAM is the perfect answer to remotely monitoring your house while out traveling.

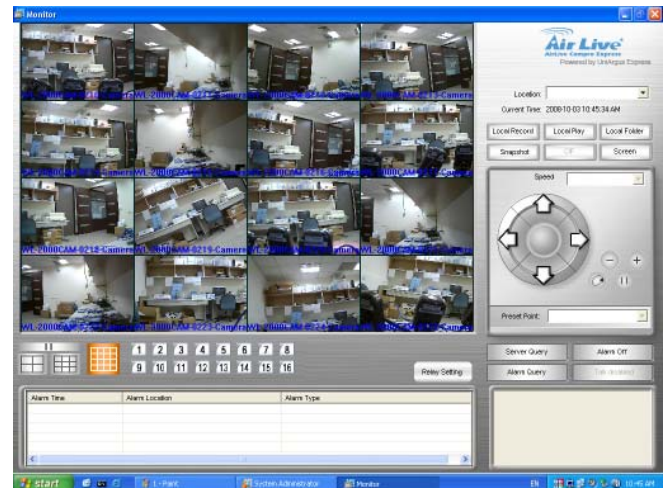
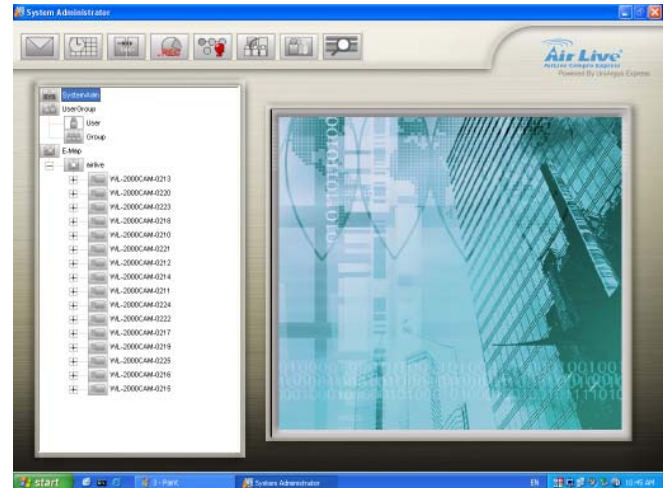
- * The mobile device must be Internet-ready. Support Real Time Streaming Protocol (RTSP) and be equipped with a 3G video player such as PacketVideo™, Quicktime™, or RealPlayer™, and have Internet access.
- * A PoE Switch or router is required to provide power via the Ethernet connection.
- * Use of video equipment for recording the image of a person without their knowledge and consent are prohibited in certain states or jurisdictions. The end-user assumes all liability for compliance with applicable state, local, and federal laws.

AirLive CamProExpress

The AirLive CamPro Express supports 16 cameras, providing a fully integrated surveillance and alarm management solution. The AirLive CamPro Express is a complete freeware for you to do the central monitor. You can find this software in the CD or you can download from the support page. The CamPro Express support WL-2000CAM, POE-100CAM, POE-200CAM, OD-300CAM, WL-2600CAM.

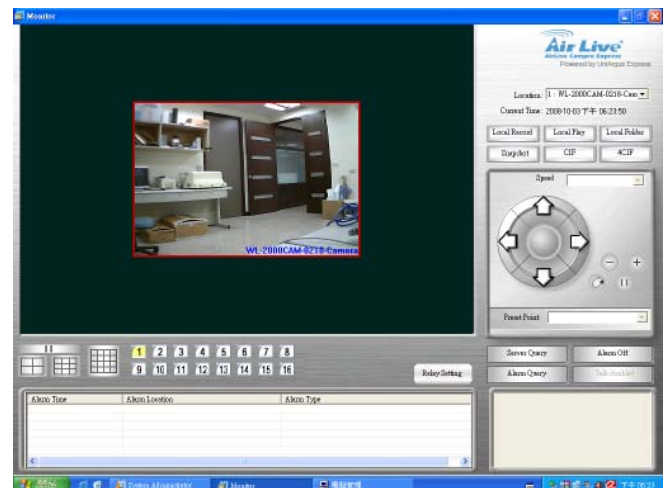
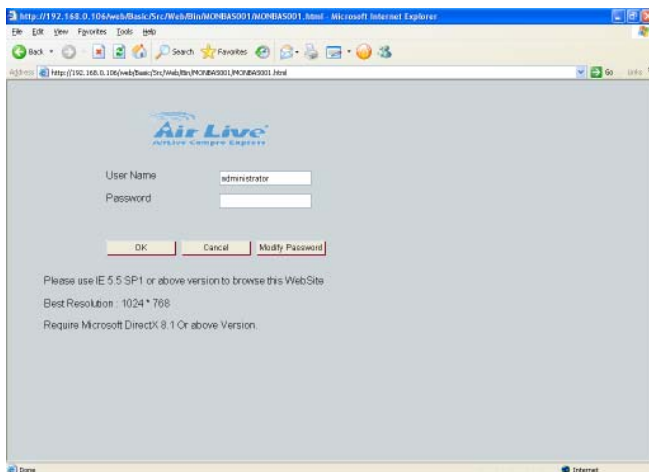
- The E-map user interface and intelligent privilege management solves management problem
- Multiple rotation screens (1/4/9/16) provide the most flexible method to monitor your surveillance installation.

The CamPro Express allows you to monitor 16 channels via the computer and WEB UI. You can choose how you like to control the camera, the Cam Pro Express support 1/4/9/16 different view. You can also choose to view the different camera in single view or 1/4/9/16 view.



Web Monitor

The CamPro Express supports you to view from the remote site of computer. By simple step that you install the IIS Server into your computer, you can view your home or office when you are in oversea.



CamPro Express system provides a solution for local stores, supermarkets, warehouses, petrol stations, government offices, buildings, schools, car parks, holiday villas, luxury homes and many other applications.

Hardware Specification

Camera

- 1/3" Sharp CCD sensor, 420TVL
- AGC, AES, AWB
- Electronic shutter: 1/60 - 1/1000000sec (NTSC), 1/50 - 1/1000000sec (PAL)

Lens

- 6.0mm, F1.8 CS-Mount lens

System

- CPU: ARM9 based 32-bit RISC
- Flash: 8MB
- SDRAM: 64 MB
- Embedded OS: Linux 2.4

Video Compression

- MPEG-4, Motion JPEG
- Adjustable Bitrate (64Kbps to 2048Kbps), Quality and Bitrate

Video Resolution

- Up to 30 frames at 704x480 (NTSC)
- Up to 25 frames at 704x576 (PAL)

Video Streaming

- Simultaneous MPEG-4 & MJPEG (Dual Streaming)
- Supports Unicast & Multicast
- Supports 3GPP/ISMA RTSP (Real Time Streaming Protocol)

Audio

- Two-way audio (full duplex)

Alarm and Event

- Built-in multi-window motion detection

- Triggered and scheduled events
- Pre- and Post-alarm buffer
- Supports SMTP, FTP and HTTP event

Supported Protocols

- TCP/IP, DHCP, PPPoE, ARP, ICMP, FTP, SMTP, DDNS, NTP, UPnP, RTSP, RTP, HTTP, TCP, UDP, 3GPP/ISMA RTSP

Security

- ID/Password Authentication; SSL Protocol V3.0

Power

- 12V DC, 1A, Max 6W

Connectors

- Ethernet – RJ45 for 10/100 Base-T (with PoE)
- 12V DC
- 3.5mm Audio Input, 3.5mm Audio Output

Operating Environment

- 0° - 50 °C (32° - 122°F)
- Humidity 20 - 80% RH (non-condensing)

Video Surveillance Software

- Professional surveillance application for viewing, recording and archiving up to 16 cameras

Approvals

- CE, FCC, RoHS

Dimension

- 123mm * 55mm * 49mm

Ordering Information:

AirLive POE-100CAM 1/3 Sharp CCD Dual Stream IP Camera