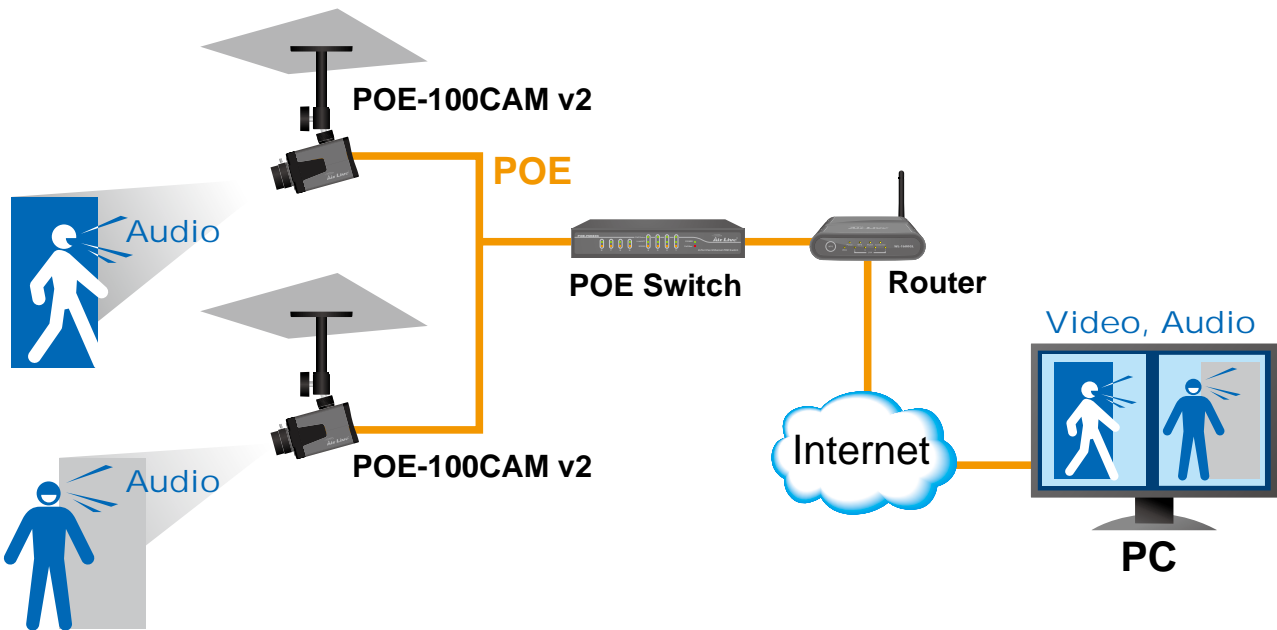


POE-100CAMv2

1/3 CMOS Dual Stream PoE IP Camera

The POE-100CAMv2 is a high-performance camera designed for professional indoor surveillance and security applications. The VGA Progressive CMOS Sensor in the POE-100CAMv2 delivers exceptional picture quality. Equipped with PoE support, the POE-100CAMv2 can receive both power and data over a single Ethernet cable, allowing you to place this camera in locations without a power outlet.



Video Quality

The POE100CAMv2 supports simultaneous dual-streaming of MPEG-4 and Motion JPEG (MJPEG) to provide both high quality and bandwidth efficient compression formats. MJPEG delivers greater file integrity, making it ideal for detailed monitoring situations. MPEG-4 video has smaller file sizes, making it more useful for extended recording periods or for use in low bandwidth networks.

Manufacturer

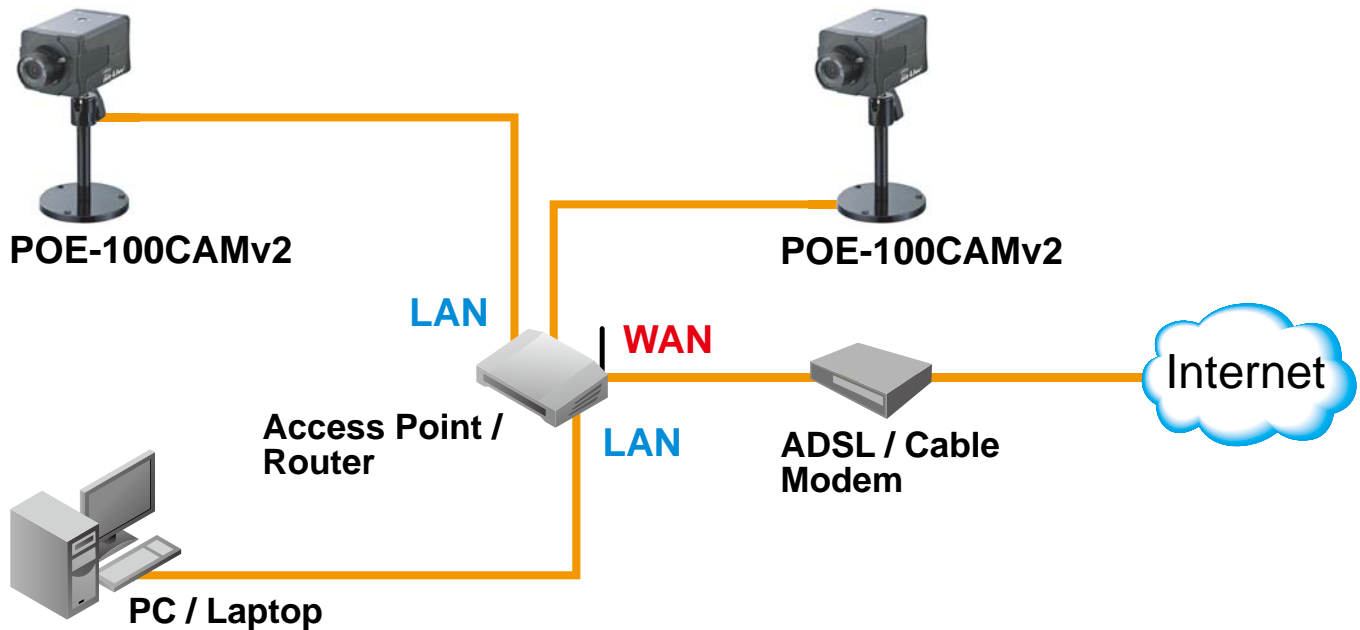
OvisLink Corp.

5F, No.96, Min-Chuan Rd., Hsin-Tien Dist., New Taipei City 231, TAIWAN

www.airlive.com

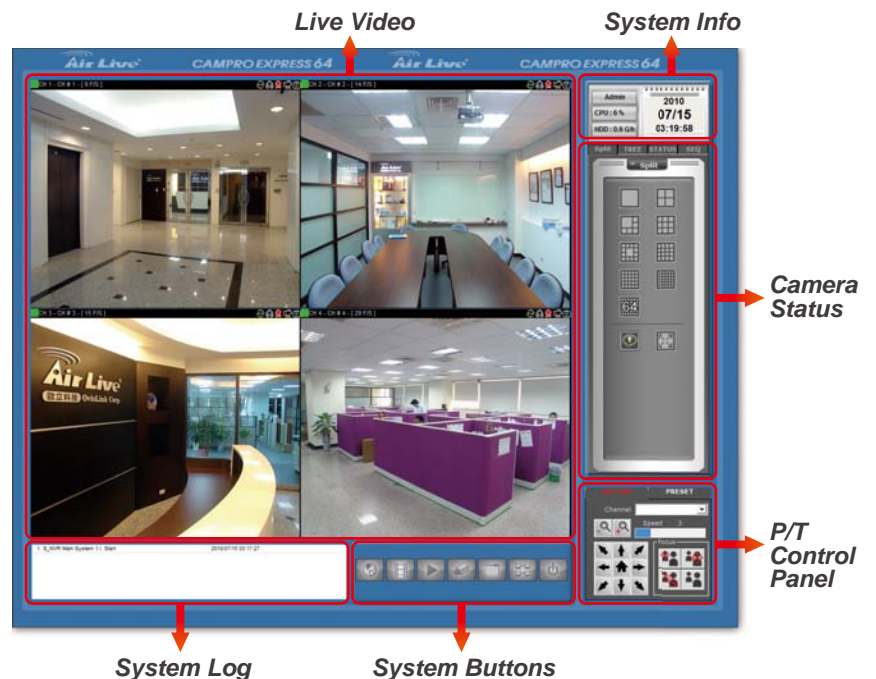
Language Pack Feature

This camera also comes with upgradeable device language pack offering seven different languages for user-friendly operation. The language pack support 14 language now and still updating. These languages include Chinese, German, Spanish, Russia, Cestina, Portuges, and more.



Professional Surveillance Software Supported

POE-100CAMv2 also supports CamPro Express, the bundle surveillance software that lets user to view and record multiple live images at the same time. Using several POE-100CAMv2 s with CamPro Express, user can easily build up a surveillance system at different environment. Moreover, POE-100CAMv2 also supports CamPro Professional, which is AirLive's intelligent video surveillance recording software. It is designed to meet most demands for professional installations. With its video analysis functions, such as tempering detection, user can build up a stable and efficient surveillance system.

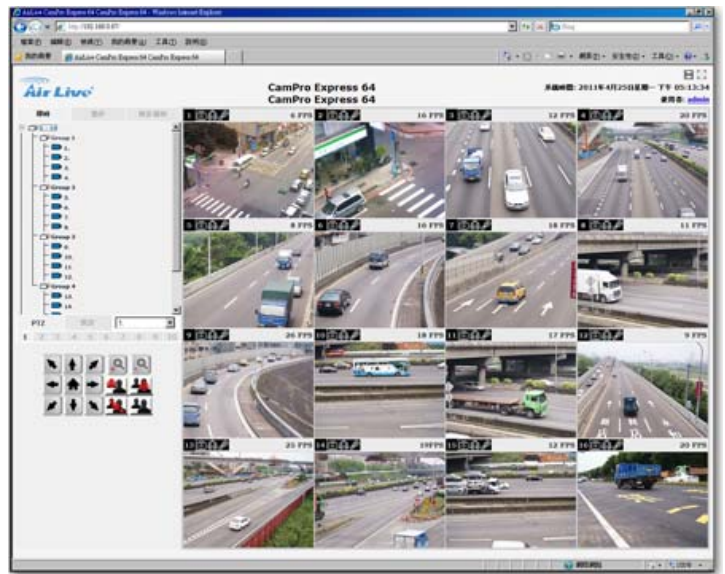


APPS for Android and iOS

AirLive has worked with IPCAM Viewer developer to add support for AirLive IPCAM. So you can view multiple AirLive cameras using Android device, iPhone, or iPad. For more information about Android or iOS apps, please visit the FAQ page.

Web Monitor

The CamPro Express allows you to monitor 64 channels via the computer and WEB UI. You can also choose to view the different camera in single view or 1/4/9/16/32/64 view.



Hardware Specification

Models

- POE-100CAMv2

Image sensor

- 1/4" Progressive scan CMOS sensor

Lens

- F1.6, 4.0 mm, CS-Mount lens

Angle of view

- 49° horizontal

Digital Zoom

- 10x digital

Min Illumination

- 0.5 Lux

S/N Ratio

- 50dB

Video Compression

- Motion JPEG
- MPEG-4 Part2 (ISO/IEC 14496-2), Profile: SP

Resolutions

- Motion JPEG:
 - 3 resolutions from 640x480 to 160x120 via API,
 - 3 resolutions via configuration web page
- MPEG-4:
 - 3 resolutions from 640x480 to 160x120 via API,
 - 3 resolutions via configuration web page

Frame rate

- Motion JPEG: Up to 15 fps at 640x480 (4:3 resolution)
- MPEG-4: Up to 30 fps at 640x480 (4:3 resolution)

Video streaming

- Simultaneous Motion JPEG and MPEG-4 (Dual streaming)
- Controllable Frame rate and bandwidth
- Support Unicast and Multicast
- Support 3GPP/ISMA RTSP(Real Time Streaming Protocol)

Image settings

- Rotation: Mirror, Flip, Mirror Flip
- brightness, contrast, saturation, hue
- Overlay capabilities: time, date, text and privacy image

Shutter time

- 1/7.5 ~ 1/120 sec.

Audio

- Two-way (full duplex)
- External microphone input or line input
- Audio compression: G.711 PCM, 8kHz, 64 kbit/s

Security

- Multiple user access levels with password protection,
- HTTPS encryption

Users

- 5 simultaneous users
- Unlimited number of users using multicast

Alarm Input/Output

- Alarm input 5V/12V DC
- Alarm output Max 30W

Alarm and event management

- Input: alarm buffer, alarm input, motion detection
- Output: FTP, SMTP, HTTP event, alarm outputPre-and post alarm buffer

Connectors

- RJ-45 for Ethernet 10/100 Base-T (with PoE)
- DC power jack

- Terminal blocks for 1 alarm input, 1 output
- Reset push switch
- 3.5 mm jack for Mic/Line, 3.5 mm jack for line out

Casing

- Aluminum casing

Power

- 12V DC, 1A, Max 5W
- PoE (Power over Ethernet) Built-in IEEE 802.3af

Operating conditions

- 0 ~ 50 °C (32 ~ 122 °F)

Installation, management, and maintenance

- Camera Management tool on CD and web-based configuration. Configuration of backup and restore
- Firmware upgrades over HTTP, firmware available at www.airlive.com

Minimum web browsing requirement

- Pentium 4 1.8GHz (or equivalent AMD)
- 64 MB RAM graphic cards(or equivalent on-board graphic cards)
- 512 MB RAM
- Window 98, ME, 2000, 2003, XP, VistaMac OS Leopard 10.5

Supported protocols

- Bonjour, TCP/IP, DHCP, PPPoE, ARP, ICMP, FTP, SMTP, DNS, NTP, UPnP, RTSP, RTP, HTTP, TCP, UDP, 3GPP/ISMA RTSP

Included accessories

- Quick Installation Guide, CD (IP Surveillance Software, Intelligent IP Installer, User Manuals, and Language Pack), mounting and connector kits, power supply 12V DC

Video management software

- AirLive Intelligent IP Installer_ Video management software, for viewing, recording and archiving up to 16 cameras

Approvals

- CE, FCC, RoHS

Dimensions(HxWxD) and weight

- 79 x 55 x 49 mm (3.1" x 2.1" x 1.9")

- 300.5 g (0.7 lb) excl. power supply

Ordering Information:

AirLive POE-100CAMv2 1/3 CMOS Dual Stream PoE IP Camera