

## POE-200CAMv2

### 1/4 CMOS Dual Stream DOME IP Camera

The AirLive POE-200CAMv2 is a high performance camera designed for professional indoor surveillance and security applications. The VGA Progressive CMOS Sensor in the POE-200CAMv2 delivers exceptional picture quality. This new model complements an architecture and software that is based on variations for professional indoor surveillance and security applications. The possibility to view video from AirLive IP Cameras over the Internet is only one of the benefits. AirLive POE-200CAMv2 is designed to offer high-performance and is equipped with PoE port, ensuring to power IP camera and provide network activity via one RJ45 network cable. This provides an easier installation and lower cable costs and allows placement of AirLive POE cameras in locations with power limitation.



1/4  
CMOS

Dual  
Stream

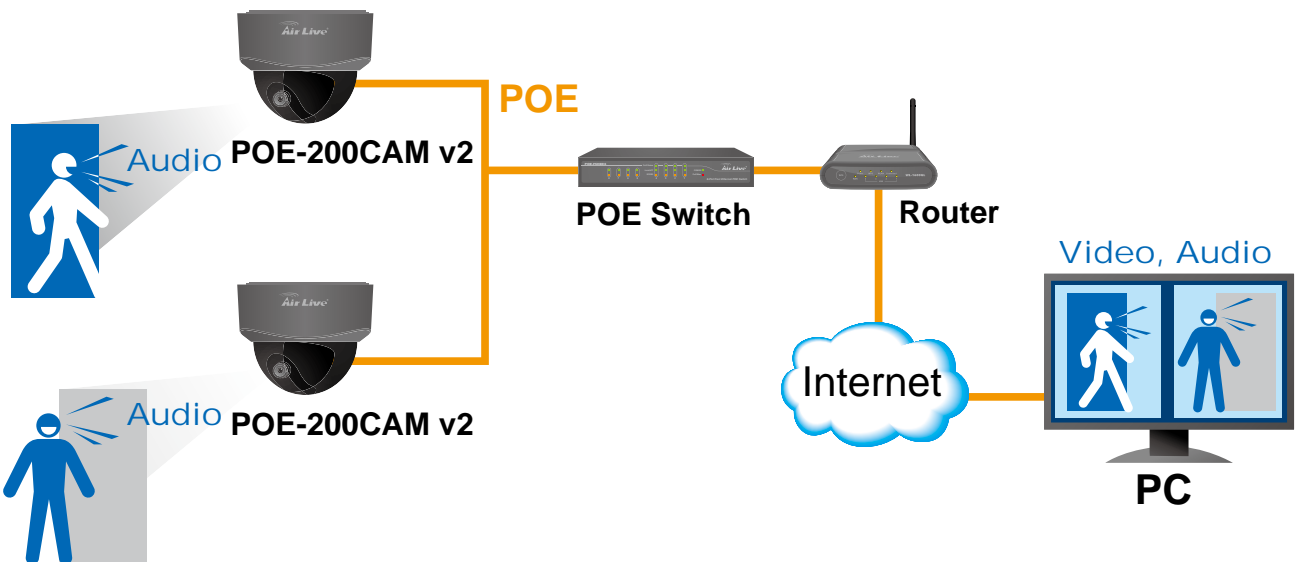
Motion  
Dectcion

3GPP

2-Way  
Audio

UPnP

Fix  
Dome



### Video Quality

The AirLive POE-200CAMv2 supports simultaneous dual-streaming of MPEG-4 and Motion JPEG(MJPEG) to provide both high quality and bandwidth efficient compression formats. MJPEG delivers greater file integrity to make it ideal for detailed monitoring situations. MPEG-4 video has smaller filesizes that makes it more useful for extended recording periods or for use in lower bandwidth networks. This model also supports two way audio functions.

Manufacturer

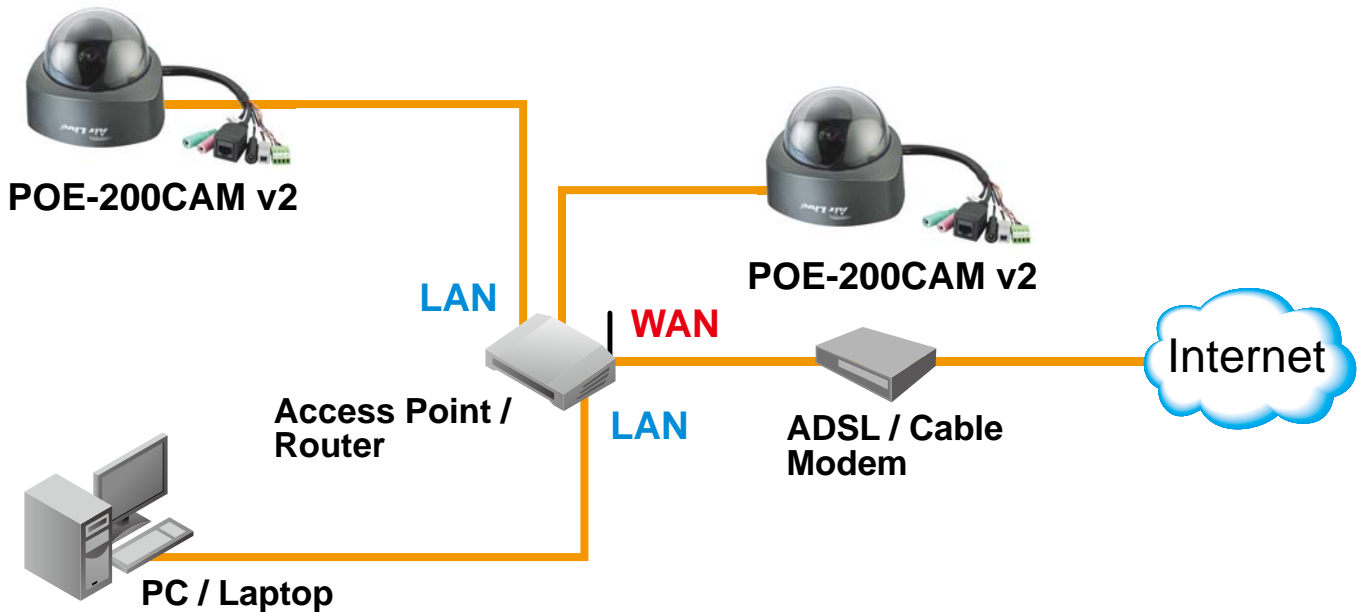
**OvisLink Corp.**

5F, No.96, Min-Chuan Rd., Hsin-Tien Dist., New Taipei City 231, TAIWAN

[www.airlive.com](http://www.airlive.com)

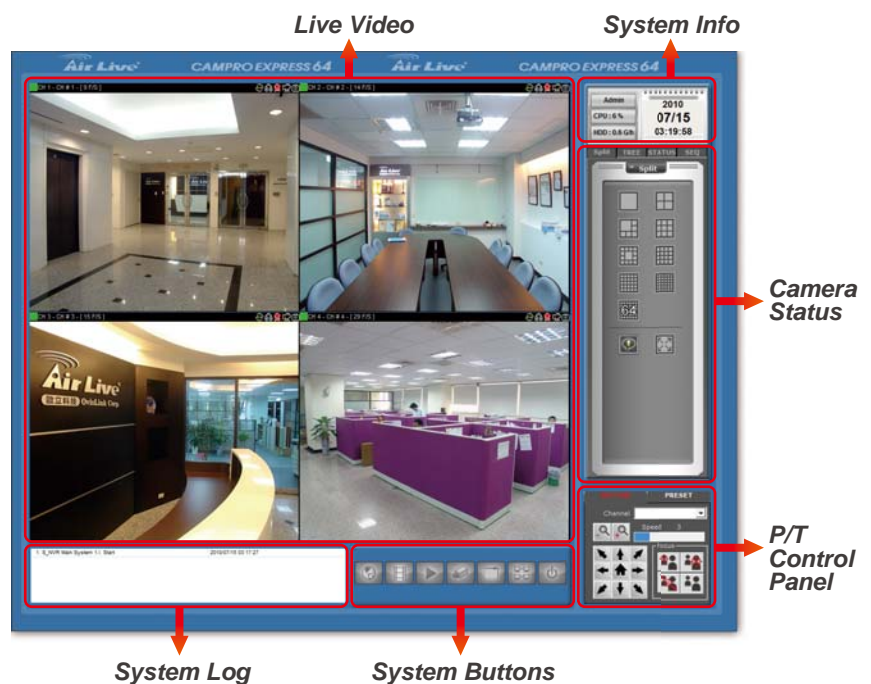
## Language Pack Feature

This camera also comes with upgradeable device language pack offering fourteen different languages for user-friendly operation. The language pack supports 14 languages now and is still updating. These languages include Chinese, German, Spanish, Russian, Czech, Portuguese, and more.



## Professional Surveillance Software Supported

POE-100CAMv2 also supports CamPro Express, the bundle surveillance software that lets user to view and record multiple live images at the same time. Using several POE-100CAMv2 s with CamPro Express, user can easily build up a surveillance system at different environment. Moreover, POE-100CAMv2 also supports CamPro Professional, which is AirLive's intelligent video surveillance recording software. It is designed to meet most demands for professional installations. With its video analysis functions, such as tempering detection, user can build up a stable and efficient surveillance system.

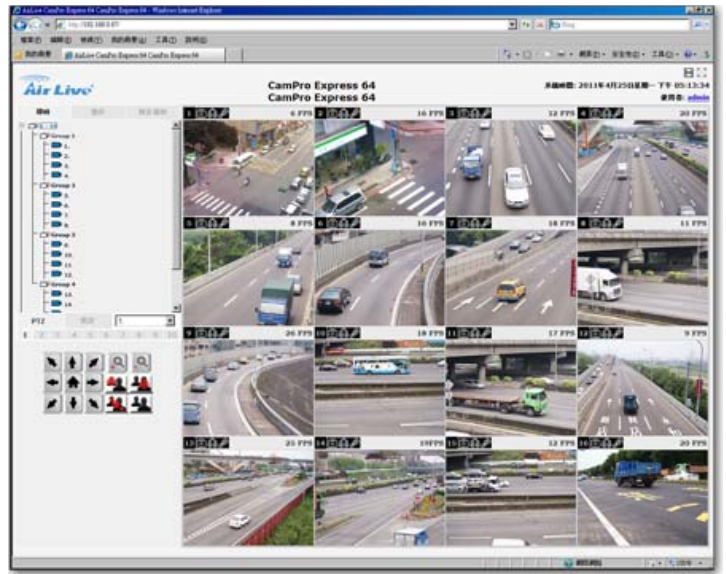


## APPS for Android and iOS

AirLive has worked with IPCAM Viewer developer to add support for AirLive IPCAM. So you can view multiple AirLive cameras using Android device, iPhone, or iPad. For more information about Android or iOS apps, please visit the FAQ page.

## Web Monitor

The CamPro Express allows you to monitor 64 channels via the computer and WEB UI. You can also choose to view the different camera in single view or 1/4/9/16/32/64 view.



### Hardware Specification

#### Models

- POE200CAMv2

#### Image sensor

- 1/4" Progressive scan CMOS sensor

#### Lens

- F1.9, 4.6 mm

#### Angle of view

- 43° horizontal

#### Digital Zoom

- 10x digital

#### Min Illumination

- 0.5 Lux

#### S/N Ratio

- 50dB

#### Video Compression

- Motion JPEG
- MPEG-4 Part2 (ISO/IEC 14496-2), Profile: SP

#### Resolutions

- Motion JPEG:
  - 3 resolutions from 640x480 to 160x120 via API,
  - 3 resolutions via configuration web page
- MPEG-4:
  - 3 resolutions from 640x480 to 160x120 via API,
  - 3 resolutions via configuration web page

#### Frame rate

- Motion JPEG: Up to 15 fps at 640x480 (4:3 resolution)
- MPEG-4: Up to 30 fps at 640x480 (4:3 resolution)

### Video streaming

- Simultaneous Motion JPEG and MPEG-4 (Dual streaming)
- Controllable Frame rate and bandwidth
- Support Unicast and Multicast
- Support 3GPP/ISMA RTSP(Real Time Streaming Protocol)

### Image settings

- Rotation: Mirror, Flip, Mirror Flip
- brightness, contrast, saturation, hue
- Overlay capabilities: time, date, text and privacy image

### Shutter time

- 1/7.5 ~ 1/120 sec.

### Audio

- Two-way (full duplex)
- External microphone input or line input
- Audio compression: G.711 PCM, 8kHz, 64 kbit/s

### Security

- Multiple user access levels with password protection,
- HTTPS encryption

### Users

- 5 simultaneous users
- Unlimited number of users using multicast

### Alarm Input/Output

- Alarm input 5V/12V DC
- Alarm output Max 30W

### Alarm and event management

- Input: alarm buffer, alarm input, motion detection
- Output: FTP, SMTP, HTTP event, alarm output
- Pre-and post alarm buffer

### Connectors

- RJ-45 for Ethernet 10/100 Base-T (with PoE)
- DC power jack
- Terminal blocks for 1 alarm input, 1 output
- Reset push switch
- 3.5 mm jack for Mic/Line, 3.5 mm jack for line out

### Casing

- PC+ABS casing

### Power

- 12V DC, 1A, Max 5W
- PoE (Power over Ethernet) Built-in IEEE 802.3af

### Operating conditions

- 0 ~ 50 °C (32 ~ 122 °F)

### Installation, management, and maintenance

- Camera Management tool on CD and web-based configuration. Configuration of backup and restore
- Firmware upgrades over HTTP, firmware available at [www.airlive.com](http://www.airlive.com)

### Minimum web browsing requirement

- Pentium 4 1.8GHz (or equivalent AMD)64 MB RAM graphic cards(or equivalent on-board graphic cards)
- 512 MB RAM
- Window 98, ME, 2000, 2003, XP, VistaMac OS Leopard 10.5

### Supported protocols

- Bonjour, TCP/IP, DHCP, PPPoE, ARP, ICMP, FTP, SMTP, DNS, NTP, UPnP, RTSP, RTP, HTTP, TCP, UDP, 3GPP/ISMA RTSP

### Included accessories

- Quick Installation Guide, CD (AirLive IP Surveillance Software, Intelligent IP Installer, User Manuals, and Language Pack), mounting and connector kits, power supply 12V DC

**Approvals**

- CE, FCC, RoHS

**Dimensions(HxWxD) and weight**

- 110 x 130 (φ)mm (4.3" x 5.1")

- 396.3 g (0.9 lb) excl. power supply

**Ordering Information:**

**AirLive POE-200CAM v2**    1/4 CMOS Dual Stream DOME IP Camera